



TOP RAPID

CERNIERA AD AGGANCIO RAPIDO



Cerniera ad aggancio rapido | Fast mounting hinge
Paumelle a accrochage rapide | Bisagra de agarre rápido



Cerniera in alluminio estruso, boccole in nylon, perno e viti di serraggio M5 TSC CR in acciaio inox.
TOP RAPID +
Cerniera preassemblata in versione DX e SX.



Hinge in extruded aluminum, nylon bushing, stainless steel pin and M5 TSC CR tightening screws.
TOP RAPID +
Pre-assembled hinge in right-hand and left-hand versions.



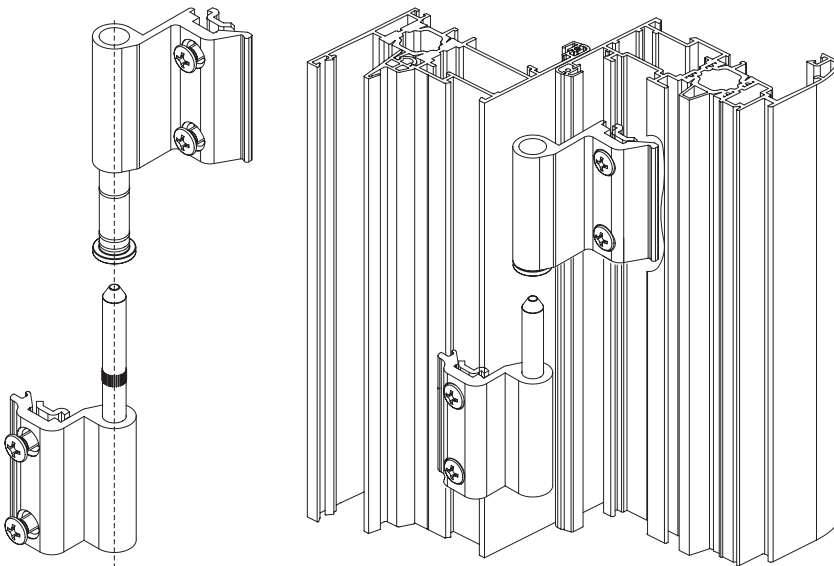
Paumelle en aluminium extrudé, bagues en nylon, pivot et vis de serrage M5 TSC CR en acier inox.
TOP RAPID +
Paumelle pré-assemblée en version droite et gauche.



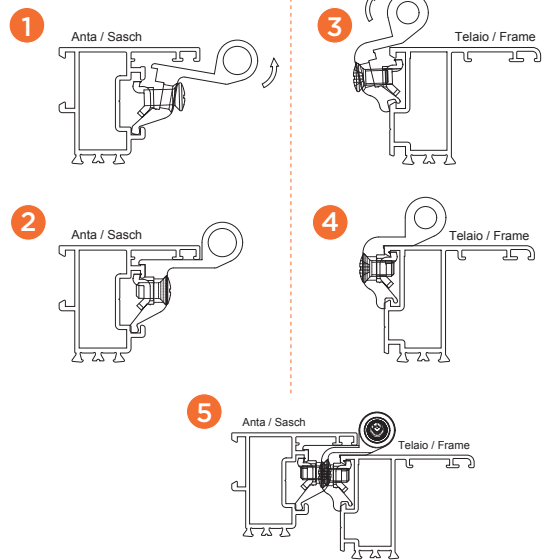
Bisagra de aluminio extruido, casquillos de nylon, pernio y tornillos de ajuste M5 TSC CR de acero inox.
TOP RAPID + Bisagra pre-ensamblada en versión Derecha e Izquierda.



ART.	TOP RAPID 9XXX.3 .33 .6 .36	TOP RAPID + 9XXX.23X .233X	TOP RAPID + 9XXX.25X .253X
Imballo Package Conditionnement Embalaje	50 PZ	50 PZ	25 PZ
Finiture disponibili Available finishes Finitions disponibles Acabados disponibles	1 2 3 4 5 6	1 2 3 4 5 6	1 2 3 4 5 6



MONTAGGIO | ASSEMBLING



TOP RAPID			
ART.		ART.	
9XXX.3		9XXX.6	
9XXX.33		9XXX.36	

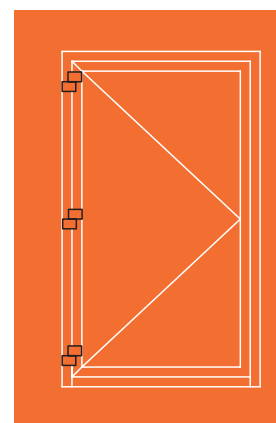
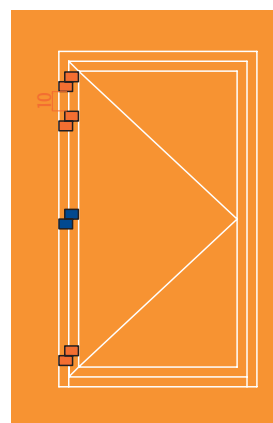
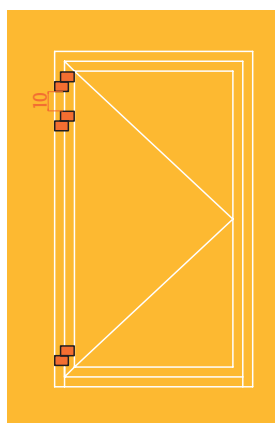
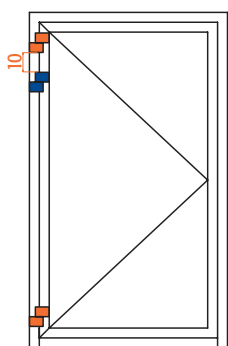
TOP RAPID +			
ART.		ART.	
9XXX.23D 9XXX.25D		9XXX.23S 9XXX.25S	
9XXX.233D 9XXX.253D		9XXX.233S 9XXX.253S	

TOP RAPID	TOP RAPID +	TOP RAPID 3	NODO SECTION
9127.3	9127.23	9127.6	A12
9129.3	-----	9129.6	B13
9131.3	9131.23	9131.6	A11
9133.3	9133.23	9133.6	A12-B08
9137.3	9137.23	9137.6	B10
9141.3	9141.23	9141.6	A05-A06
9211.3	9211.23	9211.6	A01-A02
9212.3	-----	9212.6	A03-A04-A07
9212.33	-----	9212.36	A03-A04-A07
9213.33	9213.233	9213.36	A01-A02-B03

TOP RAPID	TOP RAPID +	TOP RAPID 3	NODO SECTION
9217.33	-----	-----	A01-A02
9225.3	9225.23	9225.6	B01-B02
9227.3	9227.23	9227.6	A01-A02
9235.3	-----	9235.6	A13
9242.3	-----	9242.6	A13
9331.3	9331.23	9331.6	A10
9337.3	9337.23	9337.6	B07
9353.3	9353.23	9353.6	A17
9411.3	-----	9411.6	A15
9412.3	-----	9412.6	A14

TOP RAPID	TOP RAPID +	TOP RAPID 3	NODO SECTION
9431.3	9431.23	9431.6	A14-A16
9434.3	-----	9434.6	B06
9616.3	9616.23	9616.6	A08
9621.3	9621.23	9621.6	A08
9626.3	-----	9626.6	B04
9627.3	-----	9627.6	B04
9630.3	9630.23	9630.6	A09
9632.3	9632.23	9632.6	A08
9640.3	-----	-----	B04

H	L									
	600	700	800	900	1000	1100	1200	1300	1400	
2800	100%	100%	100%	100%	100%	100%	100%	100%	100%	
2700	100%	100%	100%	100%	100%	100%	100%	100%	100%	
2600	100%	100%	100%	100%	100%	100%	100%	100%	100%	
2500	100%	100%	100%	100%	100%	100%	100%	100%	100%	
2400	100%	100%	100%	100%	100%	100%	100%	100%	100%	
2300	100%	100%	100%	100%	100%	100%	100%	100%	100%	
2200	100%	100%	100%	100%	100%	100%	100%	100%	97%	
2100	100%	100%	100%	100%	100%	100%	100%	100%	90%	
2000	100%	100%	100%	100%	100%	100%	100%	94%	83%	
1900	100%	100%	100%	100%	100%	98%	86%	86%	76%	
1800	100%	100%	100%	100%	100%	90%	78%	78%	69%	
1700	100%	100%	100%	100%	100%	95%	82%	71%	61%	
1600	100%	100%	100%	100%	100%	85%	73%	63%	54%	
1500	100%	100%	100%	100%	90%	76%	65%	55%	N.D.	
1400	100%	100%	100%	96%	80%	67%	57%	N.D.	N.D.	
1300	100%	100%	100%	84%	70%	58%	N.D.	N.D.	N.D.	
1200	100%	100%	90%	73%	60%	N.D.	N.D.	N.D.	N.D.	
1100	100%	97%	78%	62%	50%	N.D.	N.D.	N.D.	N.D.	
1000	100%	83%	65%	51%	N.D.	N.D.	N.D.	N.D.	N.D.	



Esempio | 1. Dim. LxH (WxH) 1200x2200 = 100% Portata 2 cerniere (Load Capacity 2 hinges)
2. Dim. LxH (WxH) 1200x2300 = 100% Portata 3 cerniere (Load Capacity 3 hinges)
3. Dim. LxH (WxH) 1400x2800 = 100% Portata 4 cerniere (Load Capacity 4 hinges)

I diagrammi hanno validità per spessore profili (Load charts is for profiles thickness) ≥ 1,5 mm

ART.	PORTATA LOAD CAPACITY
	100% = 80 Kg
	100% = 100 Kg