



NEW BIG

CERNIERA PER PORTE



Cerniera per porte | Door hinge
Paumelle pour portes | Bisagra para puertas



Corpo base cerniera in alluminio estruso, carter in alluminio pressofuso, perni in acciaio inox, boccole autocentranti e viti in acciaio zincato, boccole e tappi cerniera in materiale plastico (o zama, secondo la versione), contropiastre in alluminio estruso, molla in acciaio armonico zincato.



Hinge body in extruded aluminum, casing in diecast aluminum, stainless steel pins, galvanized steel screws and selfcentering bushings, plastic hinge plugs and bushings (or zamak, depending on version), extruded aluminum strike plate, galvanized steel spring.



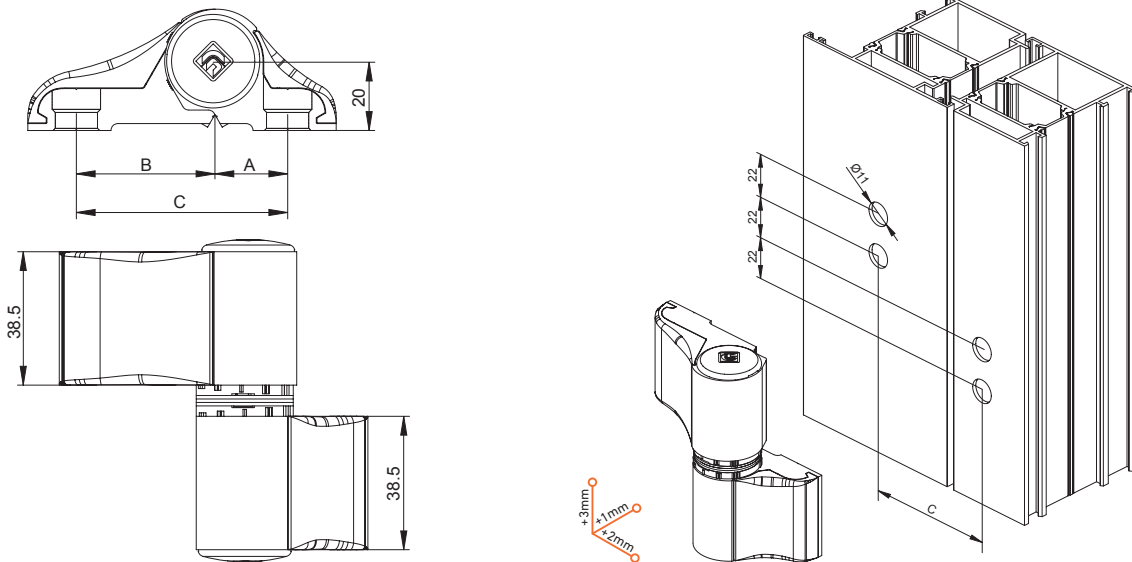
Corps base paumelle en aluminium extrudé, carter en aluminium moulé sous pression, pivots en acier inox, bagues à centrage automatique et vis en acier zingué, bagues et bouchons paumelle en matière plastique (ou zamak, selon la version), contreplaques en aluminium extrudé, ressort en acier harmonique zingué.



Cuerpo de base de cerradura en aluminio extruido; carter de aluminio de fundición, pernios de acero inox, casquillos autocentrantes y tornillos de acero galvanizado, casquillos y tapones de bisagra de material plástico (o zamak, de acuerdo con la versión), contraplacas de aluminio extruido, muelle de acero armónico galvanizado.



ART.	8000C 8001C 8002C 8003C 8004C	8000D 8001D 8002D 8003D 8004D
Imballo Package Conditionnement Embalaje	2 Pz	2 Pz
Finiture disponibili Available finishes Finitions disponibles Acabados disponibles	1 2 3 4 5 6	1 2 3 4 5 6



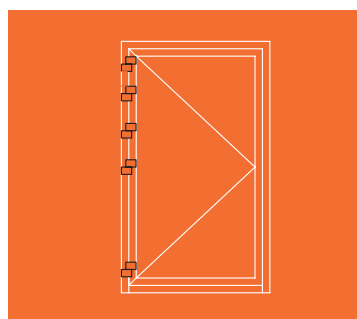
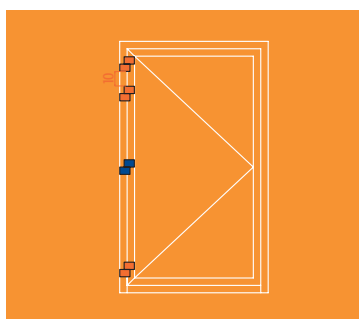
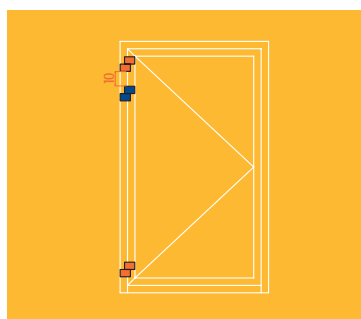
NEW BIG CARTER IN ZAMA NEW BIG WITH ZAMAK CASING			
ART	A	B	C
8000C	20.5	39.5	60
8001C	20.5	46.5	67
8002C	39.5	39.5	79
8003C	39.5	46.5	86
8004C	46.5	46.5	93

NEW BIG CARTER IN ALLUMINIO NEW BIG WITH ALLUMINIUM CASING			
ART	A	B	C
8000D	20.5	39.5	60
8001D	20.5	46.5	67
8002D	39.5	39.5	79
8003D	39.5	46.5	86
8004D	46.5	46.5	93

H	4000	100%	100%	100%	100%	100%	100%	100%	100%	100%	100%	100%	100%	100%	100%	
	3900	100%	100%	100%	100%	100%	100%	100%	100%	100%	100%	100%	100%	100%	100%	
	3800	100%	100%	100%	100%	100%	100%	100%	100%	100%	100%	100%	100%	100%	100%	
	3700	100%	100%	100%	100%	100%	100%	100%	100%	100%	100%	100%	100%	100%	100%	
	3600	100%	100%	100%	100%	100%	100%	100%	100%	100%	100%	100%	100%	100%	100%	
	3500	100%	100%	100%	100%	100%	100%	100%	100%	100%	100%	100%	100%	100%	100%	
	3400	100%	100%	100%	100%	100%	100%	100%	100%	100%	100%	100%	100%	100%	100%	
	3300	100%	100%	100%	100%	100%	100%	100%	100%	100%	100%	100%	100%	100%	100%	
	3200	100%	100%	100%	100%	100%	100%	100%	100%	100%	100%	100%	100%	100%	100%	
	3100	100%	100%	100%	100%	100%	100%	100%	100%	100%	100%	100%	100%	100%	95%	
	3000	100%	100%	100%	100%	100%	100%	100%	100%	100%	100%	100%	100%	98%	90%	
	2900	100%	100%	100%	100%	100%	100%	100%	100%	100%	100%	100%	100%	93%	85%	
	2800	100%	100%	100%	100%	100%	100%	100%	100%	100%	100%	100%	96%	87%	80%	
	2700	100%	100%	100%	100%	100%	100%	100%	100%	100%	100%	99%	90%	82%	75%	
	2600	100%	100%	100%	100%	100%	100%	100%	100%	100%	100%	93%	84%	77%	70%	
	2500	100%	100%	100%	100%	100%	100%	100%	100%	100%	96%	87%	79%	72%	65%	
	2400	100%	100%	100%	100%	100%	100%	100%	100%	100%	90%	81%	73%	66%	60%	
	2300	100%	100%	100%	100%	100%	100%	100%	100%	93%	84%	75%	68%	61%	55%	
	2200	100%	100%	100%	100%	100%	100%	100%	97%	87%	78%	69%	62%	56%	50%	
	2100	100%	100%	100%	100%	100%	100%	100%	90%	80%	71%	64%	57%	51%	45%	
2000	100%	100%	100%	100%	100%	100%	94%	83%	73%	65%	58%	51%	45%	40%		
1900	100%	100%	100%	100%	100%	98%	86%	76%	67%	59%	52%	46%	40%	35%		
1800	100%	100%	100%	100%	100%	90%	78%	69%	60%	53%	46%	40%	35%	30%		
1700	100%	100%	100%	100%	95%	82%	71%	61%	53%	46%	40%	34%	29%	25%		
1600	100%	100%	100%	100%	85%	73%	63%	54%	47%	40%	34%	29%	24%	20%		
1500	100%	100%	100%	90%	76%	65%	55%	47%	40%	34%	28%	23%	N.D.	N.D.		
1400	100%	100%	100%	96%	80%	67%	57%	48%	40%	33%	28%	22%	N.D.	N.D.		
1300	100%	100%	100%	84%	70%	58%	48%	40%	33%	27%	21%	N.D.	N.D.	N.D.		
1200	100%	100%	90%	73%	60%	49%	40%	32%	26%	20%	N.D.	N.D.	N.D.	N.D.		
1100	100%	97%	78%	62%	50%	40%	32%	25%	N.D.	N.D.	N.D.	N.D.	N.D.	N.D.		
1000	100%	83%	65%	51%	40%	31%	23%	N.D.	N.D.	N.D.	N.D.	N.D.	N.D.	N.D.		
		600	700	800	900	1000	1100	1200	1300	1400	1500	1600	1700	1800	1900	2000
		L														

Indipendentemente dal peso della porta, per porte sottoposte ad un intenso utilizzo come nel caso di edifici aperti al pubblico, porte con chiudiporta o porte ad azionamento motorizzato il limite di impiego è limitato a H 3000 e L 1400 con l'utilizzo della terza o quarta cerniera (cerniera blu) come da diagramma.

Whatever the door weight, doors subject to heavy duty, such as public building, doors with closers or automatic doors have a limited range of application limited to H 3000 and L 1400 and must be fitted with an addition hinge (blue hinge) as in the diagram.



ART	PORTATA LOAD CAPACITY
8000X	100% = 120kg
8001X	100% = 120 kg
8002X	100% = 120 kg
8003X	100% = 100 kg
8004X	100% = 100 kg

- Esempio
1. Dim. LxH (WxH) 1200x2200 = 100% Portata 2 cerniere (Load Capacity 2 hinges)
 2. Dim. LxH (WxH) 1600x2200 = 100% Portata 3 cerniere (Load Capacity 3 hinges)
 3. Dim. LxH (WxH) 1400x3300 = 100% Portata 4 cerniere (Load Capacity 4 hinges)

I diagrammi hanno validità per spessore profili | Load charts is for profiles thickness \geq a 1,7 mm