



C30

Chain actuator – Thrust force 300N – Max stroke 380 mm



Double link chain with very high resistance on top loads.



Fast hooking and unhooking system to the window (international patent).



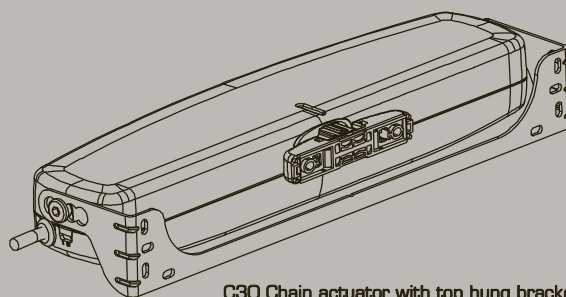
Simple swivel bracket for fast installations to windows of any type and size.



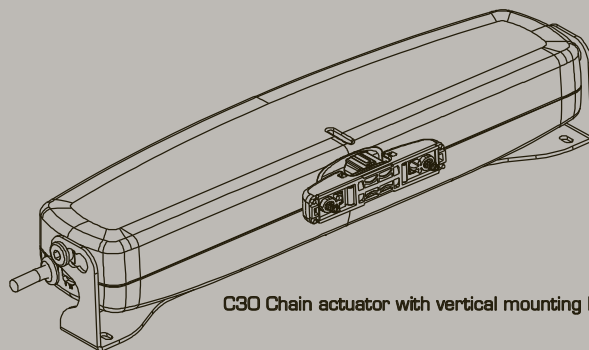
Telescopic chain terminal with fast adjustment (from 0 to 15 mm) also with totally retracted chain, for application on windows with overhung element (international patent).

Swivel bracket with additional adjusting system of 15 mm for application on windows with overhung element.

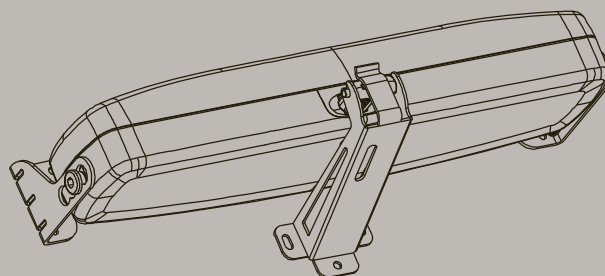




C30 Chain actuator with top hung bracket



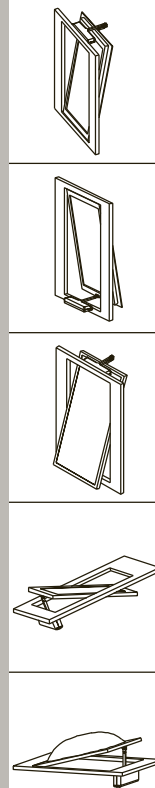
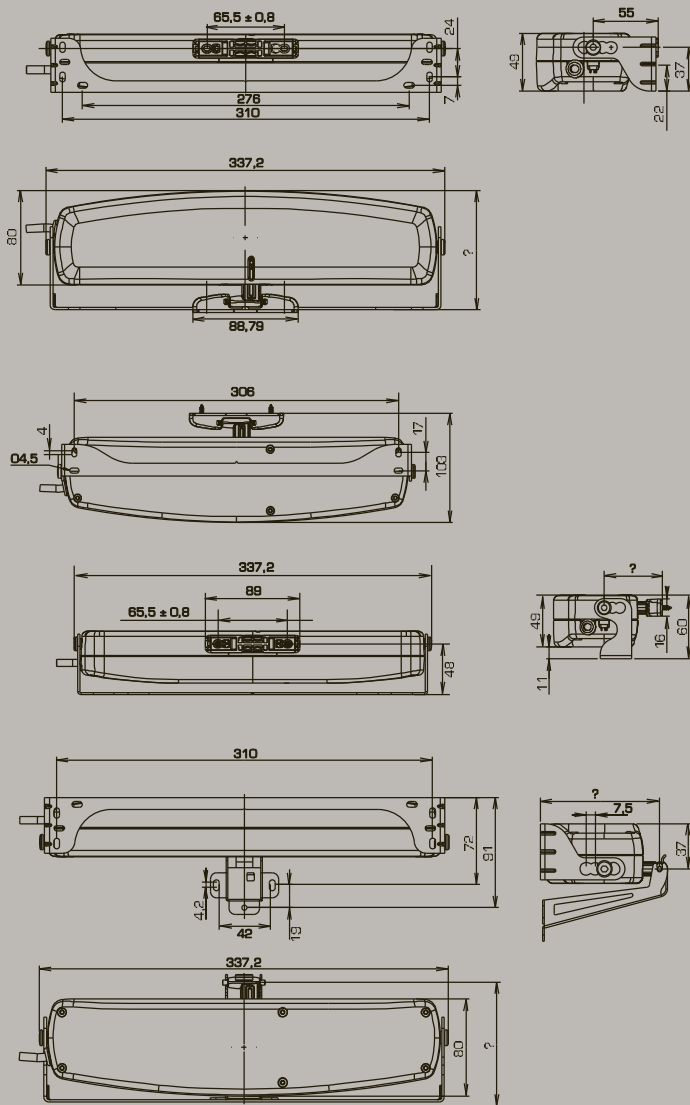
C30 Chain actuator with vertical mounting bracket



C30 Chain actuator with bottom hung brackets

Technical characteristics

	C30/230	C30/24
Power supply voltage	230V~50Hz	24V d.c.
Maximum applicable load in thrust:		300 N
Maximum applicable load in traction:		300 N
Stroke adjustable at		200 and 380 mm
Absorbed current	0,26 A	1,3 A
Idle translation speed	27 mm/s	17 mm/s
Duration of the idle stroke	14 s	22 s
Double electric insulation	yes	-
Service type		S2 of 4 min.
Operating temperature		- 5 +50° C
Protection degree of electric devices		IP30
Adjustment of the window frame connection		15mm.
Pins adjustment for swivel brackets		15mm.
Connection in parallel of two or more actuators		yes
Connection and synchronization of two C30* on the same window		with control unit USA2 only
Chain position control		yes
End of stroke		by encoder
Electronics with acoustic device to warn the user of wrong installation (buzzer)		yes
Dimensions		337,2x80x49 mm
Weight** of installed equipment		1,1 Kg
* minimum distance among the two motors: 1500 mm		
**the weight indicated in the table is subject to eventual variations according to the accessories chosen		



Description for technical specifications

<p>Electric actuator TOPP, model C30 with double link articulated chain, contained in a suitable casing, complete with support and fitting accessories for top and bottom hung windows. Operation at 230V~ 50Hz or, as an alternative, at 24 V d.c..</p> <p>Maximum applicable load 300 N. Rapid coupling for the adjustment to the frame.</p> <p>Stroke adjustable by an external selector, at 20 and 38 cm.</p> <p>Electronics with acoustic device that warns of any eventual incorrect installations.</p> <p>If required, pre-set version for the USA 2synchronization unit available, for the simultaneous running of 2 actuators on the same window.</p> <p>CE marked device complying with the following directives: EEC 89/ 336, EEC 73/23 and following amendments.</p>

